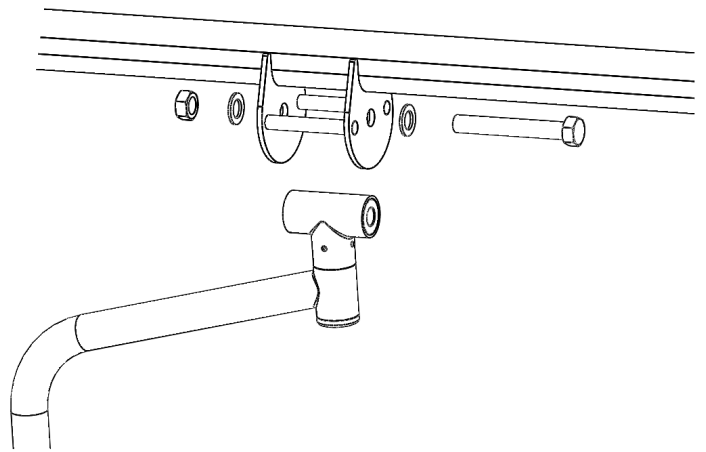


Upper Spin Pole - Installation Instructions

STEP | 1

Remove the nut, bolt and washers included with the Upper Spin Pole, and position the barrel-end of the Upper Spin Pole in the slot on the Spin Rail.

Insert the bolt and firmly secure with the nyloc nut.



STEP | 3

Insert the Lower Spin Pole into the bottom of the Upper Spin Pole, and insert the Deck Plate into the Lower Spin Pole. Lock them into place with nuts and bolts.

Insert the Spin Handles at the connection between the Upper and Lower Spin Bars. Ensure that the push-buttons securely lock.

