

## INTERIM BAN NOTICE

I, PATRICK CONLON, Acting Minister for Business Services and Consumers, pursuant to subsection 109(1)(a) of the Australian Consumer Law in Schedule 2 to the *Competition and Consumer Act 2010* (Cwlth) as applied as a law of South Australia pursuant to section 14 of the *Fair Trading Act 1987*, **IMPOSE** an interim ban on consumer goods of a kind specified below.

The effect of this Notice is to ban the supply of such consumer goods for a period of 60 days. This Notice commences with immediate effect on 23 August 2012.

### Particulars of Consumer Goods

Small, separable or loose permanent magnetic objects:

- (a) that are supplied as aggregated masses or in multiples of two or more; and
- (b) that are intended or marketed by the manufacturer primarily as a manipulative or construction desk toy or as jewellery; and
- (c) that have a magnetic flux index of greater than 50  $\text{kG}^2\text{mm}^2$ ; and
- (d) where the product supplied contains more than one magnet that fits within the small parts cylinder specified in the International Standards Organization Toy Standard (ISO 8124-1:2009, *Safety of toys*).

### Hazard identified

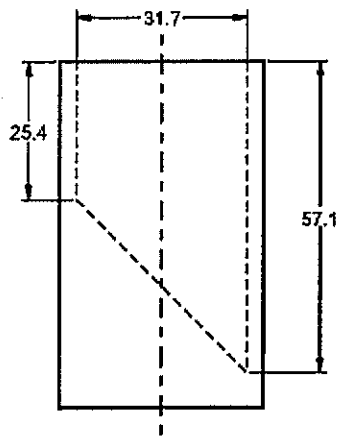
Small, powerful magnets can detach and be ingested. The ingested magnets may then attract each other and clamp parts of the digestive system together resulting in death or serious injury.

### Interpretation

Measurement of the magnetic flux index ( $\text{KG}^2\text{mm}^2$ ) is calculated by multiplying the square of the maximum flux density ( $\text{KG}^2$ ) by the area of the pole surface of the magnet ( $\text{mm}^2$ ).

The small parts cylinder is a test apparatus taken from the Australian, International and other national toy standards (for example the International Standards Organization Toy Standard (ISO 8124-1:2009, *Safety of toys*) designed to identify parts which are small enough to pose an ingestion or inhalation hazard to children.

The test apparatus was developed on the basis of incidents of ingestion. It is well established, has been in these various standards for over 40 years (since toy standards were first developed) and is a measure well known and understood by industry. Measurements in the figure below are in mm



The ban does not apply to magnets supplied:

- \* as parts for manufacture into other goods or for the repair of other goods;
- \* for scientific research; or
- \* as industrial, medical or therapeutic goods.

DATED this 23 day of 8 2012.

A handwritten signature in black ink that reads "Pat Conlon". The signature is written in a cursive, flowing style.

**PATRICK CONLON**  
ACTING MINISTER FOR BUSINESS SERVICES AND CONSUMERS