

# Electrical Safety Recall

Fisher & Paykel Appliances Australia Pty Limited is issuing a recall on certain dishwashers sold in Australia.

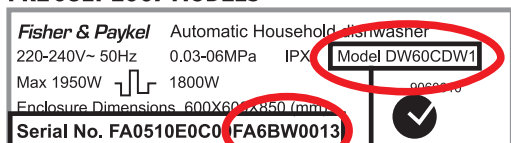
## WHAT MODELS ARE AFFECTED?

Dishwashers having model numbers starting with DW60CS and DW60CD and manufactured between 2006 and 2008 with serial numbers starting with the letters FA6, FA7 & FA8.

## WHERE TO FIND THE SERIAL NUMBER ON THE MACHINE?

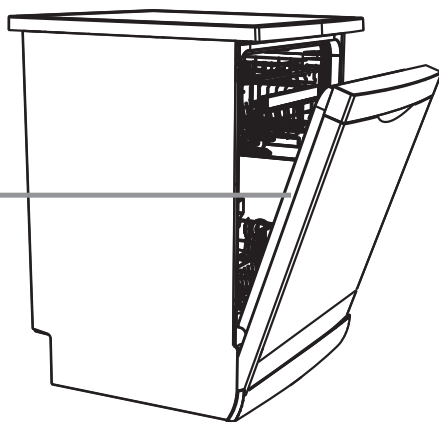
The model and serial numbers can be found on the left hand side of the door as indicated below.

### PRE JULY 2007 MODELS

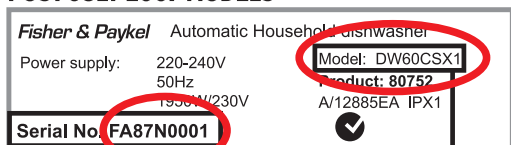


SERIAL  
NUMBER

MODEL  
NUMBER



### POST JULY 2007 MODELS



SERIAL  
NUMBER

MODEL  
NUMBER

## DEFECT

In rare circumstances a water leak could develop around the door latch area causing water to collect around the door handle and switch.

## HAZARD – FIRE

This may cause a fire or melting of components within the handle.

## WHAT SHOULD I DO

Check the model and serial number on the machine.

Visit [www.fisherpaykel.com/recall](http://www.fisherpaykel.com/recall) to register your details or call free on 1300 920 472 anytime or email [specialist.team@fisherpaykel.com](mailto:specialist.team@fisherpaykel.com).

We will arrange a service technician to call out and replace the necessary part free of charge. Should you have any further questions please call toll free on 1300 920 472.

- Do not use unless you are present (to monitor for leaks or smells).
- Do not use overnight.
- Do not use if there is excessive water on the handle, or if you detect any smoke or smell.

If there is or has been excessive water on the handle, or if you ever detected any smoke or smell, then immediately stop using and switch off the dishwasher at the wall.

See [www.recalls.gov.au](http://www.recalls.gov.au) for  
Australian product recall information