

# ELECTRICAL SAFETY RECALL

Electrolux Home Products Pty Ltd is issuing a recall on Dishlex dishwashers previously repaired in 2008 under recall PRA 2007/9689.

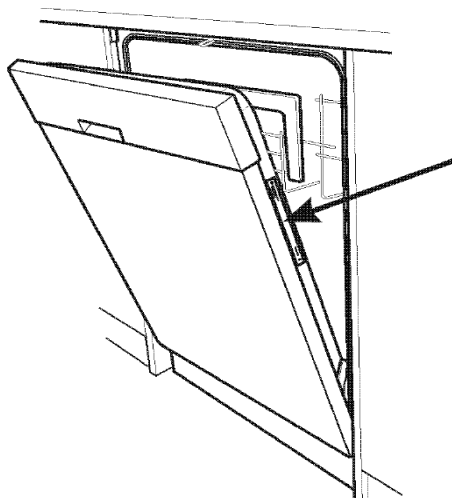
## Models affected:

Dishlex – DX303SK, DX303WK

The affected models have serial numbers in the range 70700000 to 72400000.

## How to identify the model number:

The affected products have a green “**Inspected**” label attached next to the serial number. The model and serial numbers are easily discernible on the side of the front door panel.



**Defect:** An electrical component used in the previous recall may overheat.

**Hazard:** If the defect occurs, the product may pose a fire hazard.

## What Should I Do?

If your model is affected, Electrolux recommends that you only use your machine while in attendance or nearby to monitor it. If you notice any smoke or smell from your dishwasher, immediately turn off the machine at the control panel and then the power point and contact Electrolux.

Electrolux are contacting the affected customers, using details from their service database. However, if you own one of these dishwashers, call the toll free number below to register and confirm your contact details. Please have the model and serial number ready and phone 1800 001 218 between 9am to 5pm EST Monday to Friday. Alternatively, details can be logged to [recall@electrolux.com.au](mailto:recall@electrolux.com.au)

See [www.recalls.gov.au](http://www.recalls.gov.au) for  
Australian Product Recall Information