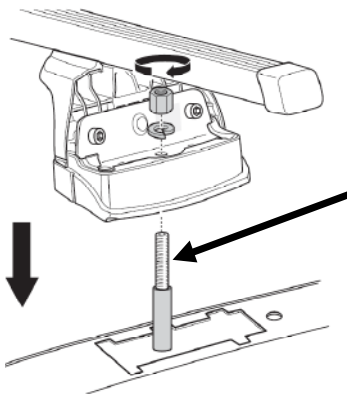


Product Safety Recall

Voluntary recall of Thule Rapid Fixpoint XT Kit article numbers 3050, 3061, 3066, 3068, 3069, 3077

Thule has become aware that a faulty hardness of the bolts in the above mentioned Fixpoint Kits makes them brittle and can cause them to break under stress. The potential hazard of this is that the fixation bolts snap off during use which makes it an unsecure load carrier fixation



The product recalls affects consumers that have bought a Thule Rapid Fixpoint XT fit kit produced during the period from 1 January 2008 until 28 February 2009.

The following car models are affected: Honda CRV 02-06, Hyundai i30 07-, Mercedes A class 05-, Mercedes B class 06-, Subaru Impreza 07-, Mazda 3 04-, Mazda 6 02-09-, Mazda CX7 06- and CX9 07-, Ford Territory 04-.

If you have an affected Fixpoint Kit then please stop using it immediately. Please contact the retailer it was purchased from, and they will support you in getting replacement bolts.

We wish to thank you for your co-operation and apologise for the inconvenience.

Please be assured that no other Thule product is affected by this recall.

Customer Service department
Thule GmbH, Dreichlingerstr. 10, 92318 Neumarkt, Germany
empfang@thule.com
www.thule.com/recall

**See www.recalls.gov.au for
Australian Product Recall Information**